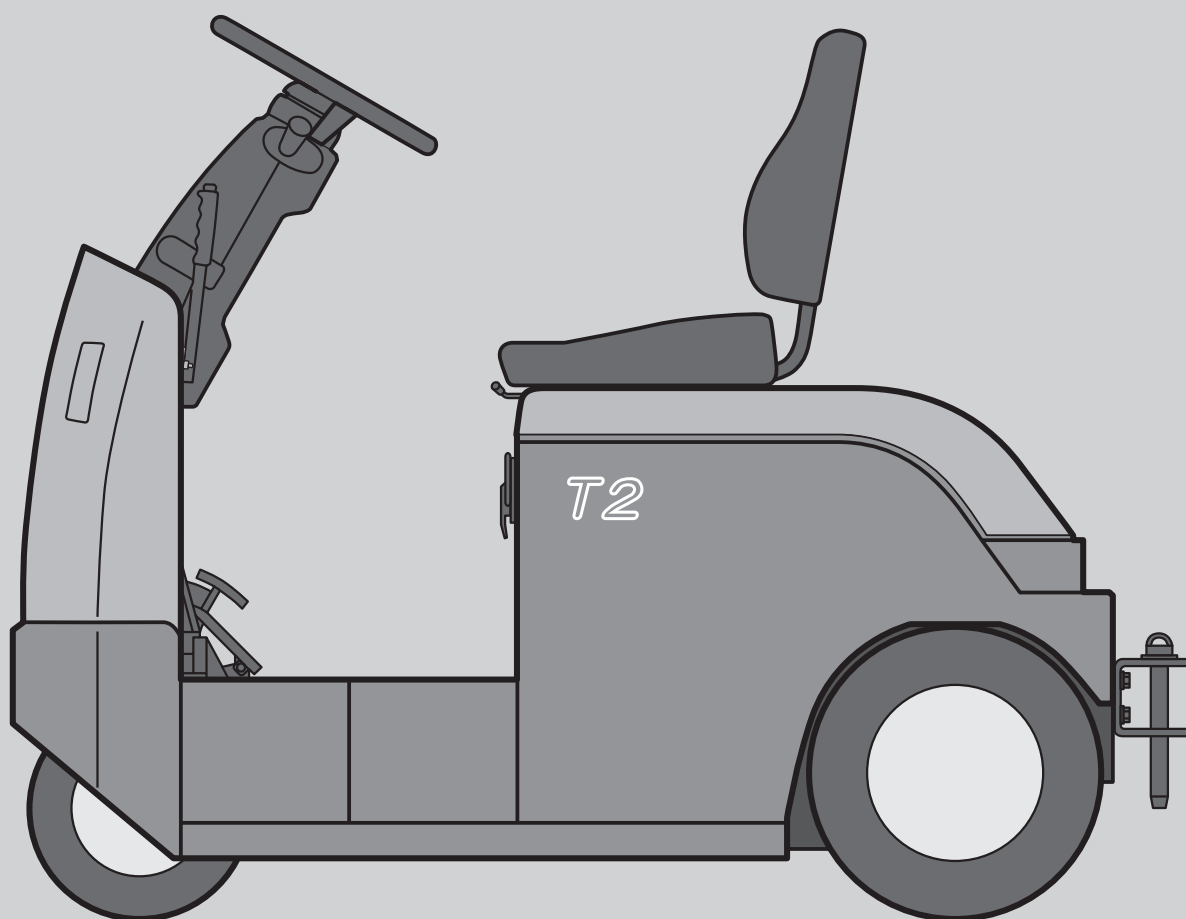


ELECTRIC POWERED TOWING TRACTOR 4CBT/4CBTY Series



 **TOYOTA**

200 to 400 kg (2,000 to 4,000 N)

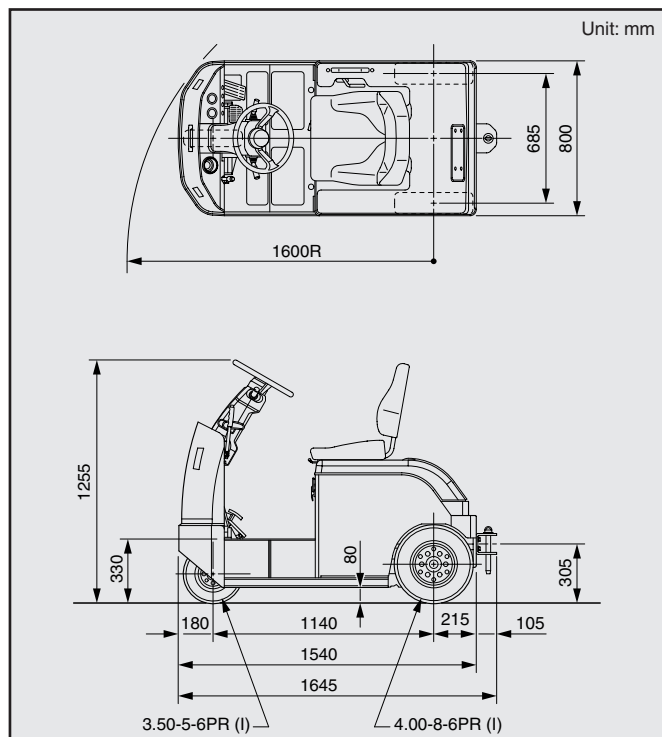
4CBT2.3, 4CBTK4 [Sit-down Type]

MAIN VEHICLE SPECIFICATIONS

Manufacturer			TOYOTA	TOYOTA	TOYOTA
Model			4CBT2	4CBT3	4CBTK4
Power Type			Battery	Battery	Battery
Operator Position			Sit-down	Sit-down	Sit-down
Tire Type		Front/Rear	Pneumatic	Pneumatic	Pneumatic
Wheels (x = driven)		Front/Rear	1/2x	1/2x	1/2x
Maximum Drawbar Pull		3-Minute Ratings	N <kg>	2000 <200>	3000 <300>
Rated Drawbar Pull (Towing Capacity)		60-Minute Ratings	N <kg>	500 <50>	750 <75>
Towed Weight		60-Minute Ratings	kg	2000	3000
Travel Speeds		No Load	km/h	13	13
		w/ Load	km/h	9 w/2 ton	9 w/3 ton
Gradeability *		No Load	% (tanθ)	14	14
		w/ Load	% (tanθ)	5	7
Overall Length		w/ Hitch	mm	1645	1645
		w/o Hitch	mm	1540	1540
Front Overhang			mm	180	180
Rear Overhang			mm	215	215
Overall Width			mm	800	800
Overall Height			mm	1255	1255
Turning Radius (Outside)			mm	1600	1600
Hitch Length			mm	105	105
Height of Hitch			mm	305	305
Wheelbase			mm	1140	1140
Tread		Front	mm	—	—
		Rear	mm	685	685
Underclearance		Center of Wheelbase	mm	80	80
Floor Height			mm	330	330
Total Weight		w/ Battery	kg	620	620
		Without Battery	kg	360	360
Weight Distribution (With STD Battery)		Front	kg	220	220
		Rear	kg	400	400
Tires		Number	Front/Rear	1/2	1/2
		Size	Front	3.50-5-6PR	3.50-5-6PR
			Rear	4.00-8-6PR	4.00-8-6PR
Brake		Service (Foot)		Hydraulic	Hydraulic
		Parking (Hand)		Mechanical	Mechanical
Battery		Voltage/Capacity (5-Hour Ratings)	STD	V/AH	48/129
		Weight (STD Capacity Type)	kg		260
Electric Motor		Drive		kW	AC 2.3
Control Type		Drive			Transistor Inverter

NOTE: * Computed values.

DIMENSIONAL DRAWINGS



TOWED WEIGHT

Unit: Ton

Model	Start on Grade		
	3-Minute Rating		
Surface Condition (Dry Even Concrete)	4CBT2	4CBT3	4CBTK4
Level Road	2.0	3.0	4.0
Grade (Degrees)	1°	1.6	2.7
	2°	1.2	2.1
	3°	1.0	1.7
	4°	0.8	1.4

Model	Start on Grade		
	60-Minute Rating		
Surface Condition (Dry Even Concrete)	4CBT2	4CBT3	4CBTK4
Level Road	2.0	3.0	4.0
Grade (Degrees)	1°	0.9	1.4
	2°	0.4	0.8
	3°	0.1	0.4
	4°	—	0.2

The data in this publication was determined based on our standard testing condition. Operating performance may vary depending on the actual specification and condition of the vehicle as well as the condition of the operating area.

200 and 400 kg (2,000 and 4,000 N)

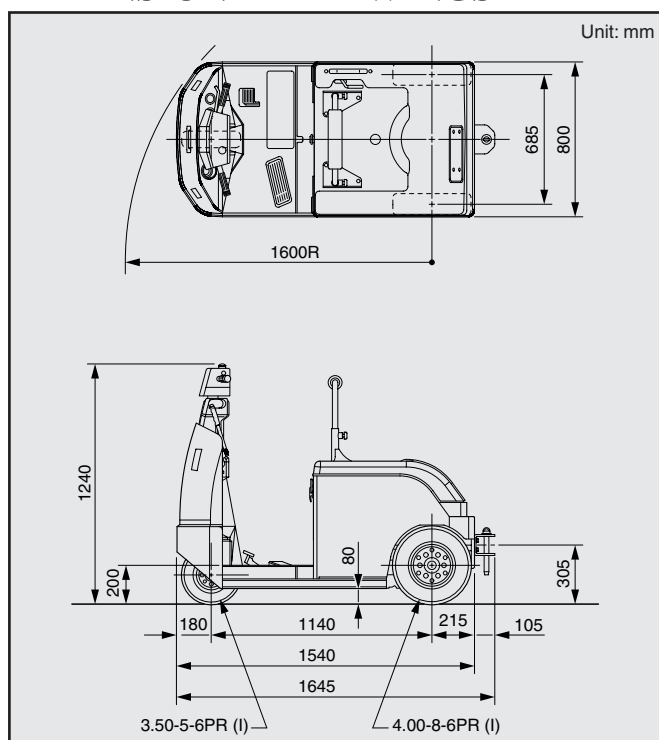
4CBTY2, 4CBTYK4 [Stand-up Type]

MAIN VEHICLE SPECIFICATIONS

Manufacturer			TOYOTA	TOYOTA
Model			4CBTY2	4CBTYK4
Power Type			Battery	Battery
Operator Position			Stand-up	Stand-up
Tire Type		Front/Rear	Pneumatic	Pneumatic
Wheels (x = driven)		Front/Rear	1/2x	1/2x
Maximum Drawbar Pull		3-Minute Ratings N <kg>	2000 <200>	4000 <400>
Rated Drawbar Pull (Towing Capacity)		60-Minute Ratings N <kg>	500 <50>	1000 <100>
Towed Weight		60-Minute Ratings kg	2000	4000
Travel Speeds		No Load km/h	13	13
		w/ Load km/h	9 w/2 ton	8 w/4 ton
Gradeability *	3-Minute Ratings	No Load % (tanθ)	14	14
		w/ Load % (tanθ)	5	7
Overall Length		w/ Hitch mm	1645	1645
		w/o Hitch mm	1540	1540
Front Overhang		mm	180	180
Rear Overhang		mm	215	215
Overall Width		mm	800	800
Overall Height		mm	1240/1450	1240/1450
Turning Radius (Outside)		mm	1600	1600
Hitch Length		mm	105	105
Height of Hitch		mm	305	305
Wheelbase		mm	1140	1140
Tread		Front mm	—	—
		Rear mm	685	685
Underclearance	Center of Wheelbase mm		80	80
Floor Height		mm	200	200
Total Weight		w/ Battery kg	620	730
		Without Battery kg	360	360
Weight Distribution (With STD Battery)		Front kg	220	270
		Rear kg	400	460
Tires		Number Front/Rear	1/2	1/2
		Size Front	3.50-5-6PR	3.50-5-6PR
		Rear	4.00-8-6PR	4.00-8-6PR
Brake		Service (Foot)	Hydraulic	Hydraulic
		Parking (Hand)	Mechanical	Mechanical
Battery		Voltage/Capacity (5-Hour Ratings) STD V/AH	48/129	48/220
		Weight (STD Capacity Type) kg	260	370
Electric Motor	Drive	kW	AC 2.3	AC 2.3
Control Type	Drive		Transistor Inverter	Transistor Inverter

NOTE: * Computed values.

DIMENSIONAL DRAWINGS



TOWED WEIGHT

Unit: Ton

Model	Start on Grade	
	3-Minute Rating	
Surface Condition (Dry Even Concrete)	4CBTY2	4CBTYK4
Level Road	2.0	4.0
Grade (Degrees)	1°	1.6
	2°	1.2
	3°	1.0
	4°	0.8

Model	Start on Grade	
	60-Minute Rating	
Surface Condition (Dry Even Concrete)	4CBTY2	4CBTYK4
Level Road	2.0	4.0
Grade (Degrees)	1°	0.9
	2°	0.4
	3°	0.1
	4°	—

The data in this publication was determined based on our standard testing condition. Operating performance may vary depending on the actual specification and condition of the vehicle as well as the condition of the operating area.

STANDARD EQUIPMENT

4CBT2.3, 4CBTK4

- Travel AC control
- Maximum-speed limit switch
- Pneumatic tire
- Self-adjusting hydraulic brake
- Double-action parking brake
- Emergency unplug lever
- Rear drawbar
- Seat (with OPS switch)
- Key switch
- Headlights
- Hour meter
- Battery capacity indicator with alarm display
- Electric horn
- Operator Presence Sensing System (OPS)
- Cup holder

4CBTY2, 4CBTYK4

- Travel AC control
- Maximum-speed limit switch
- Pneumatic tire
- Self-adjusting hydraulic brake
- Double-action parking brake
- Emergency unplug lever
- Rear drawbar
- Backrest with urethane cushion
- Key switch
- Headlights
- Hour meter
- Battery capacity indicator with alarm display
- Electric horn
- Operator Presence Sensing System (OPS)
- Cup holder

Availability and specifications are determined regionally and are subject to change without notice.
Please consult your Toyota representative for details.

All rights reserved by Toyota Industries Corporation.