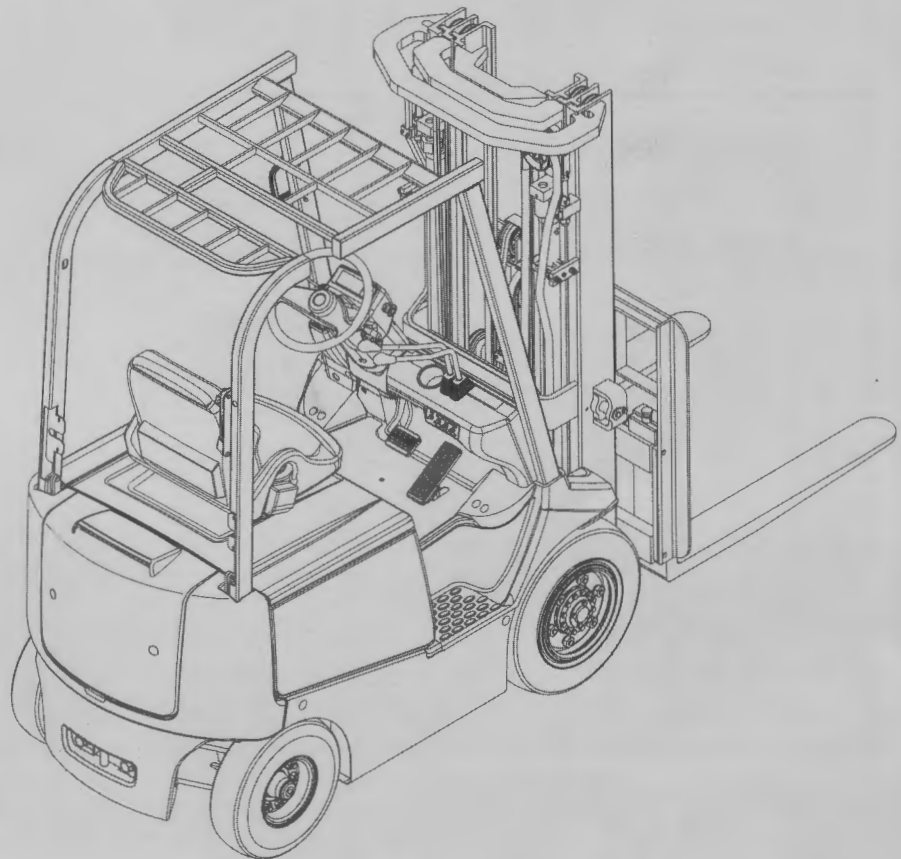


ELECTRIC FORKLIFT TRUCK SPECIFICATIONS

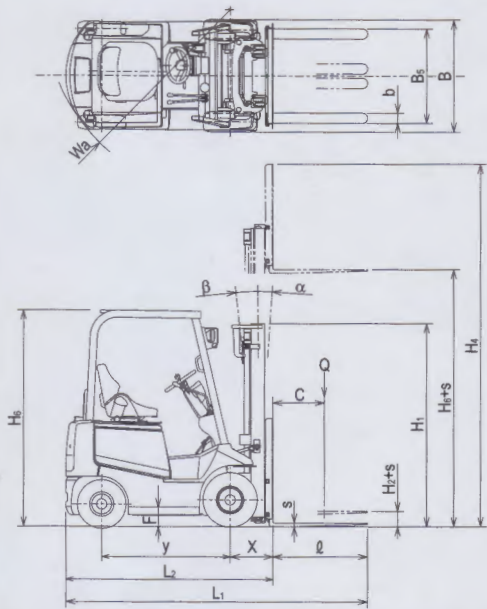


COUNTERBALANCED TRUCK

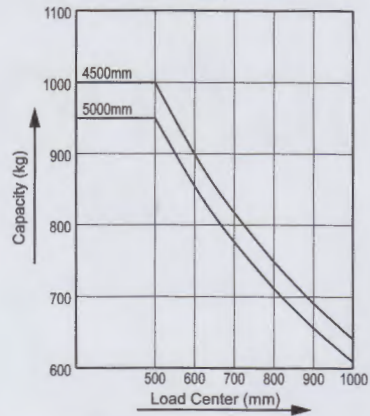
77 SERIES

FB10/14/15/18/20/25/28/30

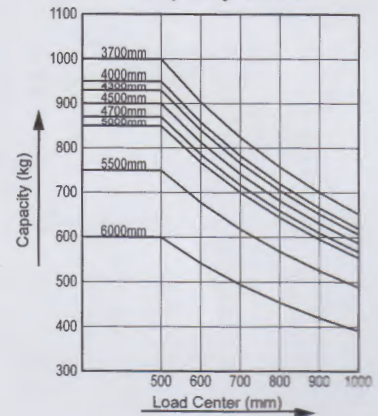
■ FB10P, FB10P-U



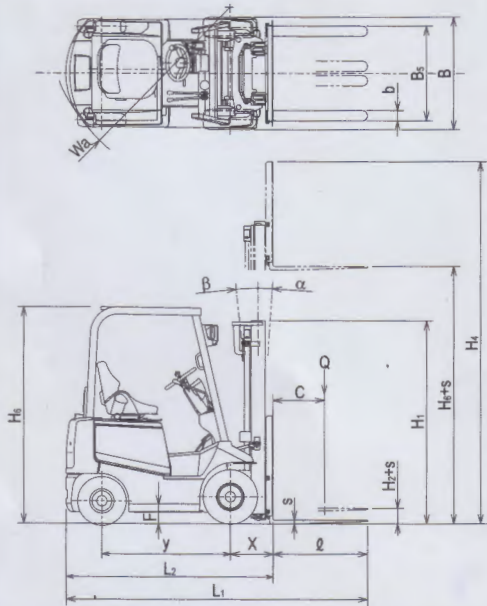
“With 2-stage mast”
Capacity Chart



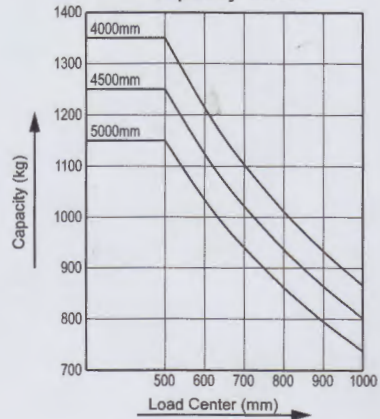
“With 3-stage mast”
Capacity Chart



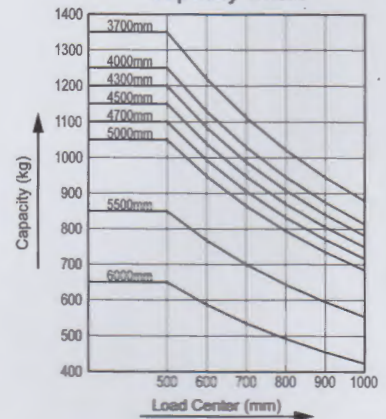
■ FB14P, FB14P-U



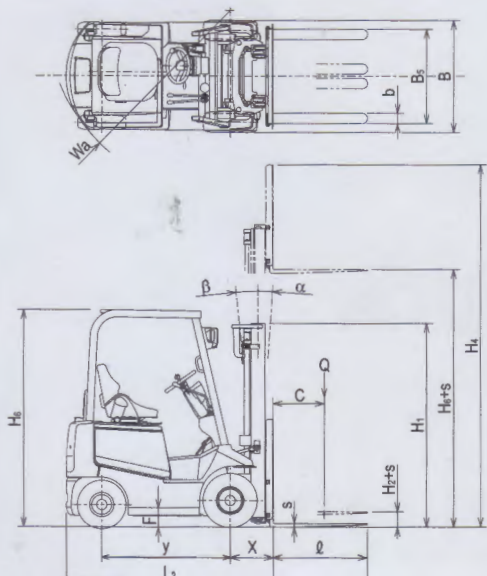
“With 2-stage mast”
Capacity Chart



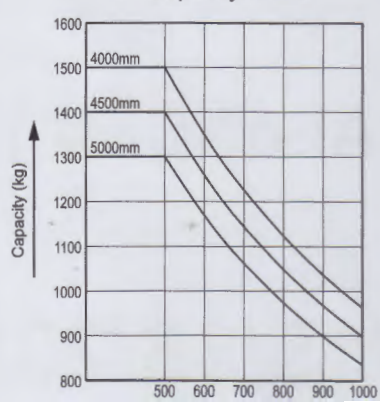
“With 3-stage mast”
Capacity Chart



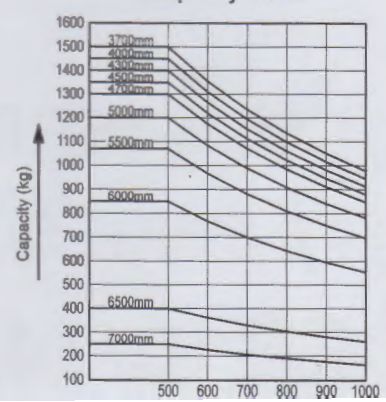
■ FB15P, FB15P-U



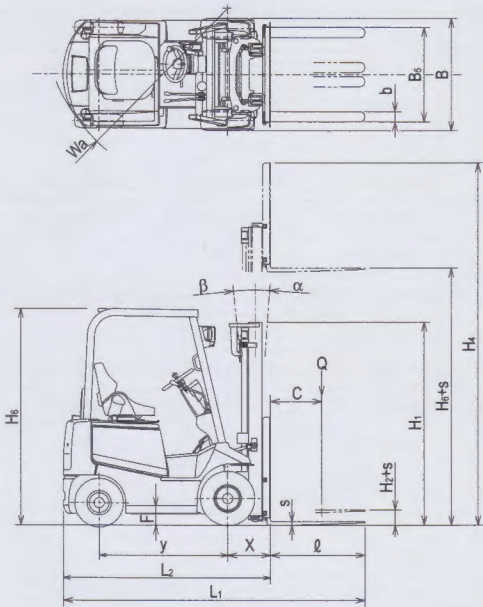
“With 2-stage mast”
Capacity Chart



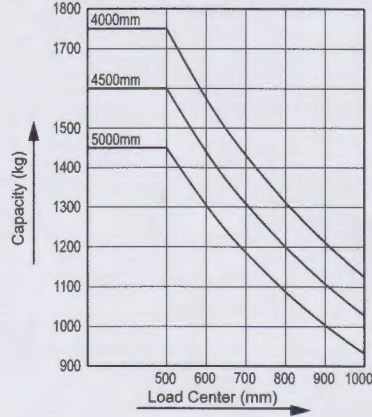
“With 3-stage mast”
Capacity Chart



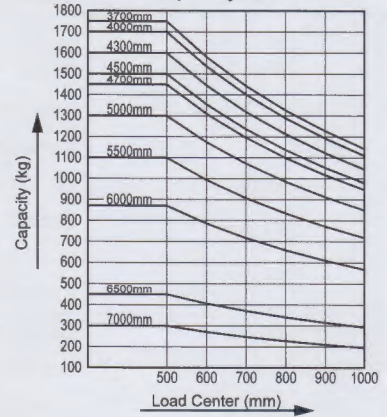
■ FB18P, FB18P-U



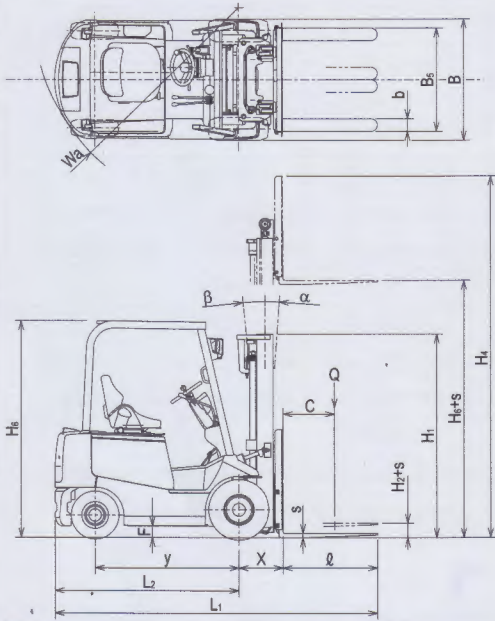
“With 2-stage mast”
Capacity Chart



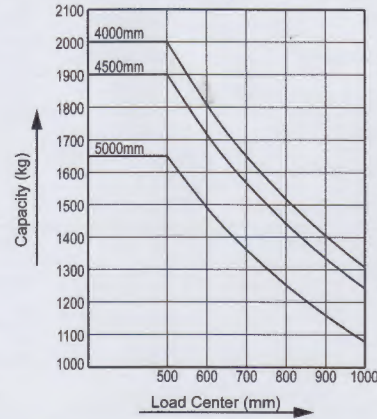
“With 3-stage mast”
Capacity Chart



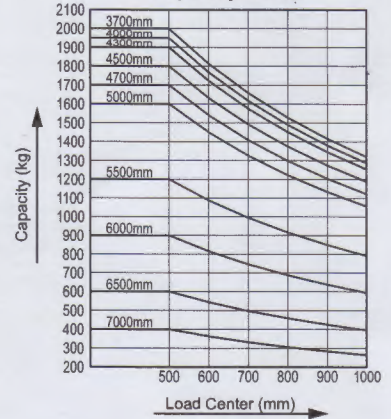
■ FB20P, FB20P-U



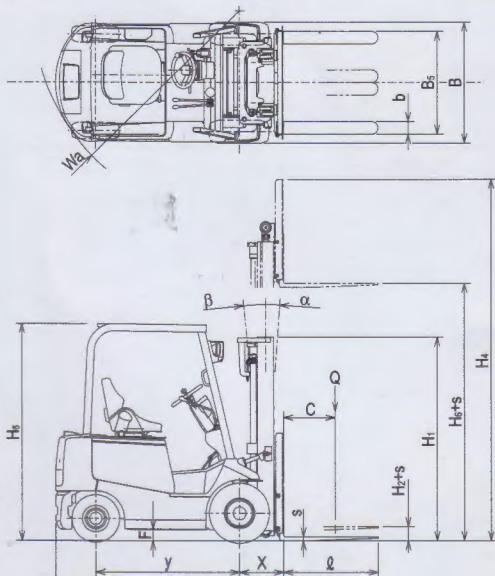
“With 2-stage mast”
Capacity Chart



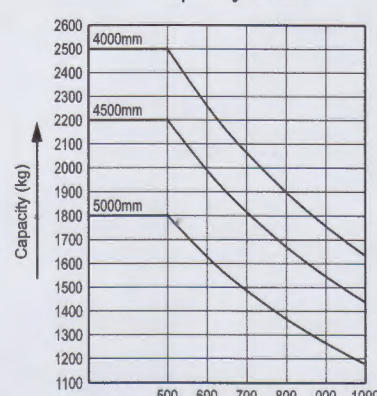
“With 3-stage mast”
Capacity Chart



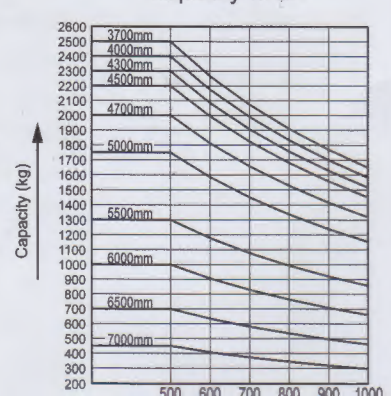
■ FB25P, FB25P-U



“With 2-stage mast”
Capacity Chart



“With 3-stage mast”
Capacity Chart



STANDARD SPECIFICATIONS

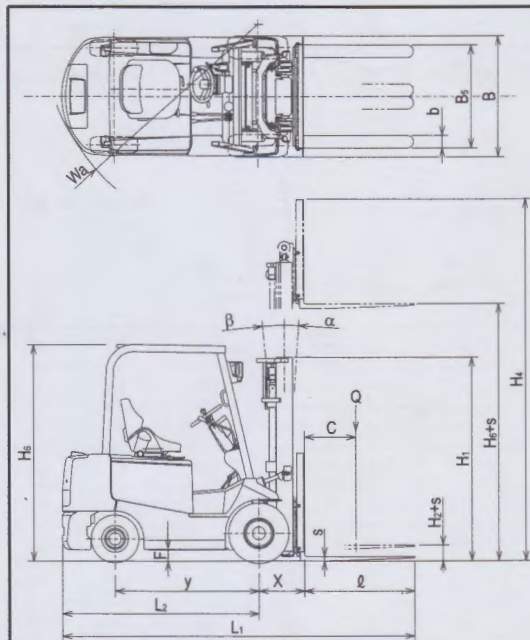
		Item	Summary	Unit	STANDARD				
Type	1.2	Model			FB10P	FB14P	FB15P	FB18P	
	1.3	Rated Capacity	Q	kg	1000	1350	1500	1750	
	1.4	Load Center	C	mm	500	500	500	500	
	1.6	Operator Type	Stand-on / Seated		Seated	Seated	Seated	Seated	
Dimensions	2.1	Lift Height	H ₃ +s	mm	3000	3000	3000	3000	
	2.2	Free Lift	H ₂ +s	mm	115	115	115	115	
	2.3	Tilt Angle	For-/Back-ward <F:Down/Up>	α/β	deg.	<Mast> 6 / 12	<Mast> 6 / 12	<Mast> 6 / 12	<Mast> 6 / 12
	2.4	Fork	Carriage			Class II	Class II	Class II	Class II
	2.5		Dimensions (L/W/T)	l/b/s	mm	1070 / 100 / 35	1070 / 100 / 35	1070 / 100 / 35	1070 / 100 / 35
	2.6		Spread (Max/Min)	B _s	mm	920 / 240	920 / 240	920 / 240	920 / 240
	2.7	Length	OA. Length	L ₁	mm	3090	3090	3090	3130
	2.8		to Fork face	L ₂	mm	2020	2020	2020	2060
	2.9	Width	OA. Width	B	mm	1060	1060	1105	1105
	2.10	Height	Mast lowered	H ₁	mm	1975	1975	1975	1975
	2.11		Mast extended	H ₄	mm	4015	4015	4015	4015
	2.12		Overhead Guard	H ₆	mm	2110	2110	2110	2110
	2.13	Overhang	Front overhang	X	mm	420	420	420	420
	2.14	Min. Turning Radius		Wa	mm	1810	1810	1810	1845
	2.15	90° Turning Aisle	1100 x 1100 Pallet (included 200mm for clearance)		mm	1955	1955	1975	1985
	2.16	90° Stacking Aisle	1100 x 1100 Pallet (included 200mm for clearance)	Ast	mm	3530	3530	3530	3565
Performance	3.1	Travel Speed	Laden / Unladen	km/h	14.0 / 16.0	14.0 / 16.0	14.0 / 16.0	13.5 / 15.5	
	3.3	Lifting Speed	Laden / Unladen	mm/s	370 / 540	340 / 540	320 / 540	310 / 540	
	3.4	Lowering Speed	Laden / Unladen	mm/s	500 / 500	500 / 500	500 / 500	500 / 500	
	3.5	Max. Gradeability	3min. rating, 1.5km/h and over	%	22.0	20.0	19.0	17.0	
Mass	4.1	Service Weight	Incl. Battery (6.3)	kg	2685	2820	2870	3045	
	4.2	Axle Loading	Laden (Front/Rear)	kg	2985 / 700	3580 / 590	3850 / 520	4275 / 520	
	4.3		Unladen (Front/Rear)	kg	1250 / 1435	1235 / 1585	1245 / 1625	1235 / 1810	
Chassis	5.1	Tyres : Number	Front/Rear (X=Drive)		2X / 2	2X / 2	2X / 2	2X / 2	
	5.2	Tyres	Front	mm	6.00-9-10PR	6.00-9-10PR	21x8-9-14PR	21x8-9-14PR	
	5.3		Rear	mm	5.00-8-8PR	5.00-8-8PR	5.00-8-8PR	5.00-8-8PR	
	5.4	Wheelbase		y	mm	1250	1250	1250	1250
	5.5	Tread	Front		mm	890	890	905	905
	5.6		Rear		mm	900	900	900	900
	5.7	Ground Clearance	Min.		mm	95	95	95	95
	5.8		Middle of wheelbase	F	mm	110	110	110	110
	5.9	Service Brake	Mech./Hydr./Electr./Pneum.			Hydr.	Hydr.	Hydr.	Hydr.
	5.10	Parking Brake	Foot/Hand/Deadman			Hand	Hand	Hand	Hand
Motors	6.1	Battery	Type			BS / JIS	BS / JIS	BS / JIS	BS / JIS
	6.2		Volts/Ampere hrs (5HR)	V/Ah	48 / 330	48 / 330	48 / 400	48 / 400	
	6.3		Mass (with case)	kg	620	620	660	660	
	6.4	Drive Motor	60min. rating		kw	9.0	9.0	9.0	9.0
	6.5		control			Inverter	Inverter	Inverter	Inverter
	6.6	Hydraulic Motor	5min. rating		kw	9.5	9.5	9.5	9.5
	6.7		control			Inverter	Inverter	Inverter	Inverter
	6.8	Power Steering Motor	60min. rating		kw	0.4	0.4	0.4	0.4
	6.9		control			TC	TC	TC	TC
	6.10		Type (Built-in/Stationary)			Stationary	Stationary	Stationary	Stationary
	6.12	Charger (option)	Input		ϕ/V	3 / 200	3 / 200	3 / 200	3 / 200

D SERIES				HIGH SPEED (U) SERIES					
FB20P	FB25P	FB28P	FB30P	FB10P-U	FB14P-U	FB15P-U	FB18P-U	FB20P-U	FB25P-U
2000	2500	2750	3000	1000	1350	1500	1750	2000	2500
500	500	500	500	500	500	500	500	500	500
Seated	Seated	Seated	Seated	Seated	Seated	Seated	Seated	Seated	Seated
3000	3000	3000	3000	3000	3000	3000	3000	3000	3000
140	140	155	155	115	115	115	115	140	140
<Mast> 6 / 12	<Mast> 6 / 12	<Mast> 6 / 12	<Mast> 6 / 12	<Mast> 6 / 12	<Mast> 6 / 12	<Mast> 6 / 12	<Mast> 6 / 12	<Mast> 6 / 12	<Mast> 6 / 12
Class II	Class II	Class III	Class III	Class II	Class II	Class II	Class II	Class II	Class II
1070 / 122 / 40	1070 / 122 / 40	1070 / 122 / 44	1070 / 122 / 44	1070 / 100 / 35	1070 / 100 / 35	1070 / 100 / 35	1070 / 100 / 35	1070 / 122 / 40	1070 / 122 / 40
1000 / 245	1000 / 245	1000 / 245	1000 / 245	920 / 240	920 / 240	920 / 240	920 / 240	1000 / 245	1000 / 245
3305	3390	3440	3630	3090	3090	3090	3130	3305	3390
2235	2320	2370	2560	2020	2020	2020	2060	2235	2320
1195	1195	1195	1185	1060	1060	1105	1105	1195	1195
1995	1995	1980	2215	1975	1975	1975	1975	1995	1995
4000	4000	4000	4000	4015	4015	4015	4015	4000	4000
2110	2110	2110	2225	2110	2110	2110	2110	2110	2110
435	435	450	490	420	420	420	420	435	435
2010	2080	2110	2400	1810	1810	1810	1845	2010	2080
2075	2110	2130	2200	1955	1955	1975	1985	2075	2110
3745	3815	3860	4185	3530	3530	3530	3565	3745	3815
14.0 / 16.0	13.5 / 15.5	13.0 / 15.0	13.5 / 15.5	16.0 / 18.0	16.0 / 18.0	16.0 / 18.0	15.5 / 17.5	15.5 / 17.5	15.0 / 17.0
280 / 470	260 / 470	250 / 410	320 / 550	470 / 650	440 / 650	420 / 650	380 / 650	360 / 600	340 / 600
500 / 500	500 / 500	400 / 400	400 / 400	500 / 500	500 / 500	500 / 500	500 / 500	500 / 500	500 / 500
19.0	16.0	14.0	16.0	22.0	20.0	19.0	17.0	19.0	16.0
3605	4140	4355	4660	2685	2820	2870	3045	3605	4140
4905 / 700	5715 / 925	6155 / 950	6745 / 915	2985 / 700	3580 / 590	3850 / 520	4275 / 520	4905 / 700	5715 / 925
1570 / 2035	1545 / 2595	1540 / 2815	1890 / 2770	1250 / 1435	1235 / 1585	1245 / 1625	1235 / 1810	1570 / 2035	1545 / 2595
2X / 2	2X / 2	2X / 2	2X / 2	2X / 2	2X / 2	2X / 2	2X / 2	2X / 2	2X / 2
23x9-10-16PR	23x9-10-16PR	23x9-10-16PR	28x9-15-12PR	6.00-9-10PR	6.00-9-10PR	21x8-9-14PR	21x8-9-14PR	23x9-10-16PR	23x9-10-16PR
18x7-8-14PR	18x7-8-14PR	18x7-8-14PR	6.50-10-10PR	5.00-8-8PR	5.00-8-8PR	5.00-8-8PR	5.00-8-8PR	18x7-8-14PR	18x7-8-14PR
1400	1400	1400	1600	1250	1250	1250	1250	1400	1400
960	960	960	955	890	890	905	905	960	960
935	935	935	975	900	900	900	900	935	935
110	110	95	130	95	95	95	95	110	110
110	110	110	185	110	110	110	110	110	110
Hydr.	Hydr.	Hydr.	Hydr.	Hydr.	Hydr.	Hydr.	Hydr.	Hydr.	Hydr.
Hand	Hand	Hand	Hand	Hand	Hand	Hand	Hand	Hand	Hand
BS / JIS	BS / JIS	BS / JIS	BS / JIS	BS / JIS	BS / JIS	BS / JIS	BS / JIS	BS / JIS	BS / JIS
48 / 450	48 / 565	48 / 565	72 / 450	48 / 330	48 / 330	48 / 400	48 / 400	48 / 450	48 / 565
745	835	835	1130	620	620	660	660	745	835
10.0	10.0	10.0	10.0	9.0	9.0	9.0	9.0	10.0	10.0
Inverter	Inverter	Inverter	Inverter	Inverter	Inverter	Inverter	Inverter	Inverter	Inverter
9.5	12.0	12.0	15.0	12.0	12.0	12.0	12.0	13.5	14.0
Inverter	Inverter	Inverter	Inverter	Inverter	Inverter	Inverter	Inverter	Inverter	Inverter
0.5	0.5	0.5	0.5	0.4	0.4	0.4	0.4	0.5	0.5
TC	TC	TC	TC	TC	TC	TC	TC	TC	TC
Stationary	Stationary	Stationary	Stationary	Stationary	Stationary	Stationary	Stationary	Stationary	Stationary
3 / 200	3 / 200	3 / 200	3 / 200	3 / 200	3 / 200	3 / 200	3 / 200	3 / 200	3 / 200
6.5	9.1	9.1	12.0	4.7	4.7	6.5	6.5	6.5	9.1

RATED CAPACITIES AND MAST SPECIFICATIONS

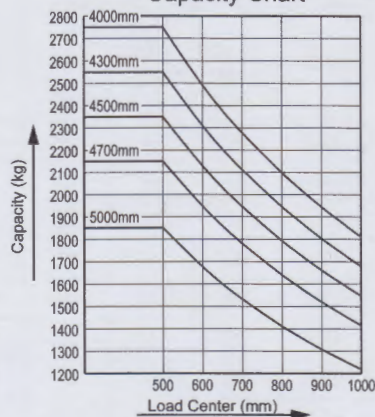
Mast Type		Lifting Height H ₃ +s (mm)	Capacity Q (kg) at 500mm Load Center														
			FB10P FB10P-U		FB14P FB14P-U		FB15P FB15P-U		FB18P FB18P-U		FB20P FB20P-U		FB25P FB25P-U		FB28P		
			Pneumatic Tyre	No Puncture Tyre	Pneumatic Tyre	No Puncture Tyre	Pneumatic Tyre	No Puncture Tyre	Pneumatic Tyre	No Puncture Tyre	Pneumatic Tyre	No Puncture Tyre	Pneumatic Tyre	No Puncture Tyre	Pneumatic Tyre	No Puncture Tyre	Pneumatic Tyre
Two-Stage Full Visibility Mast (Simplex)	230	2300	—	—	—	—	—	—	—	—	—	—	—	—	2750	2750	3000
	250	2500	—	—	—	—	—	—	—	—	—	—	—	—	2750	2750	3000
	270	2700	—	—	—	—	—	—	—	—	—	—	—	—	2750	2750	3000
	300	3000	1000	1000	1350	1350	1500	1500	1750	1750	2000	2000	2500	2500	2750	2750	3000
	330	3300	1000	1000	1350	1350	1500	1500	1750	1750	2000	2000	2500	2500	2750	2750	3000
	350	3500	1000	1000	1350	1350	1500	1500	1750	1750	2000	2000	2500	2500	2750	2750	3000
	370	3700	1000	1000	1350	1350	1500	1500	1750	1750	2000	2000	2500	2500	2750	2750	3000
	400	4000	1000	1000	1350	1350	1500	1500	1750	1750	2000	2000	2500	2500	2750	2750	3000
	430	4300	—	—	—	—	—	—	—	—	—	—	—	—	2550	2650	2800
	450	4500	1000	1000	1250	1300	1400	1450	1600	1650	1900	1900	2200	2350	2350	2600	2550
	470	4700	—	—	—	—	—	—	—	—	—	—	—	—	2150	2550	2350
	500	5000	950	950	1150	1200	1300	1350	1450	1550	1650	1800	1800	2250	1850	2450	2100
Two-Stage Full Free Mast (Duplex)	200PFL	2000	1000	1000	1350	1350	1500	1500	1750	1750	—	—	—	—	—	—	—
	230PFL	2300	1000	1000	1350	1350	1500	1500	1750	1750	2000	2000	2500	2500	2750	2750	3000
	250PFL	2500	1000	1000	1350	1350	1500	1500	1750	1750	2000	2000	2500	2500	2750	2750	3000
	270PFL	2700	1000	1000	1350	1350	1500	1500	1750	1750	2000	2000	2500	2500	2750	2750	3000
	300PFL	3000	1000	1000	1350	1350	1500	1500	1750	1750	2000	2000	2500	2500	2750	2750	3000
	330PFL	3300	1000	1000	1350	1350	1500	1500	1750	1750	2000	2000	2500	2500	2750	2750	3000
	350PFL	3500	1000	1000	1350	1350	1500	1500	1750	1750	2000	2000	2500	2500	2750	2750	3000
	370PFL	3700	1000	1000	1350	1350	1500	1500	1750	1750	2000	2000	2500	2500	2750	2750	3000
	400PFL	4000	1000	1000	1350	1350	1500	1500	1750	1750	2000	2000	2500	2500	2750	2750	3000
	430PFL	4300	1000	1000	1300	1350	1450	1500	1650	1700	1950	1950	2350	2400	2550	2650	2800
	450PFL	4500	1000	1000	1250	1300	1400	1450	1600	1650	1900	1900	2200	2350	2350	2600	2550
	470PFL	4700	970	970	1200	1250	1350	1400	1550	1600	1800	1850	2050	2300	2150	2550	2350
500PFL	5000	950	950	1150	1200	1300	1350	1450	1550	1650	1800	1800	2250	1850	2450	2100	
Three-Stage Full Free Mast (Triplex)	330M	3300	1000	1000	1350	1350	1500	1500	1750	1750	2000	2000	2500	2500	2750	2750	3000
	350M	3500	1000	1000	1350	1350	1500	1500	1750	1750	2000	2000	2500	2500	2750	2750	3000
	370M	3700	1000	1000	1350	1350	1500	1500	1750	1750	2000	2000	2500	2500	2750	2750	3000
	400M	4000	950	950	1250	1300	1450	1450	1700	1700	1950	1950	2400	2400	2600	2650	2900
	430M	4300	930	930	1200	1250	1400	1400	1600	1600	1900	1900	2300	2350	2500	2600	2800
	450M	4500	900	900	1150	1200	1350	1350	1500	1550	1800	1850	2200	2250	2300	2500	2500
	470M	4700	870	870	1100	1150	1300	1330	1450	1500	1700	1800	2000	2200	2100	2400	2300
	500M	5000	850	850	1050	1100	1200	1300	1300	1450	1600	1750	1750	2150	1850	2350	2000
	530M	5300	800	850	950	1100	1150	1270	1200	1430	1350	1700	1500	2100	1600	2200	1700
	550M	5500	750	850	850	1100	1070	1250	1100	1400	1200	1650	1300	2050	1400	2100	1500
	570M	5700	700	850	750	1050	970	1170	1000	1300	1050	1600	1150	1900	1200	2000	1300
	600M	6000	600	800	650	1050	850	1100	870	1250	900	1550	1000	1700	1050	1800	1150
	630M	6300	—	—	—	—	500	850	600	950	700	1400	800	1500	850	1650	950
	650M	6500	—	—	—	—	400	750	450	850	600	1250	700	1400	750	1550	850
	670M	6700	—	—	—	—	350	700	400	750	500	1150	600	1300	650	1450	750

FB30P		Overall Height (mm)						Free Lift H ₂ 's (mm)								Tilt Angle (deg.)	
		Mast Lowered H ₁			Mast Raised H ₄			Without Backrest				With Backrest				Forward α	Backward β
		Pneumatic Tyre	No Puncture Tyre	10P-18P 10P-18P-U/ 20P-25P 20P-25P-U	28P	30P	10P-18P 10P-18P-U	20P/25P 20P/25P-U	28P/30P	10P-18P 10P-18P-U	20P/25P 20P/25P-U	28P	30P	10P-18P 10P-18P-U	20P/25P 20P/25P-U		
3000	3000	—	1630	1865	—	—	3300	—	—	155	155	—	—	155	155	4	6
3000	3000	—	1730	1965	—	—	3500	—	—	155	155	—	—	155	155	4	6
3000	3000	—	1830	2065	—	—	3700	—	—	155	155	—	—	155	155	4	6
3000	3000	1975/1995	1980	2215	4015	4000	4000	115	140	155	155	115	140	155	155	6	12
3000	3000	2125/2145	2130	2365	4315	4300	4300	115	140	155	155	115	140	155	155	6	12
3000	3000	2225/2245	2230	2465	4515	4500	4500	115	140	155	155	115	140	155	155	6	12
3000	3000	2325/2345	2330	2565	4715	4700	4700	115	140	155	155	115	140	155	155	6	12
3000	3000	2525/2545	2480	2715	5015	5000	5000	115	140	155	155	115	140	155	155	6	12
2800	2950	—	2730	2965	—	—	5300	—	—	155	155	—	—	155	155	4	6
2550	2900	2775/2795	2830	3065	5515	5500	5500	115	140	155	155	115	140	155	155	4	6
2350	2800	—	2930	3165	—	—	5700	—	—	155	155	—	—	155	155	4	6
2100	2700	3035/3065	3080	3315	6015	6000	6000	115	140	155	155	115	140	155	155	4	6
—	—	1480	—	—	3000	—	—	785	—	—	—	480	—	—	—	4	6
3000	3000	1630	1630	1865	3300	3300	3300	935	1000	1005	1210	630	630	630	865	4	6
3000	3000	1730	1730	1965	3500	3500	3500	1035	1100	1105	1310	730	730	730	965	4	6
3000	3000	1830	1830	2065	3700	3700	3700	1135	1200	1205	1410	830	830	830	1065	4	6
3000	3000	1980	1980	2215	4000	4000	4000	1285	1350	1355	1560	980	980	980	1215	6	12
3000	3000	2130	2130	2365	4300	4300	4300	1435	1500	1505	1710	1130	1130	1130	1365	6	12
3000	3000	2230	2230	2465	4500	4500	4500	1535	1600	1605	1810	1230	1230	1230	1465	6	12
3000	3000	2330	2330	2565	4700	4700	4700	1635	1700	1705	1910	1330	1330	1330	1565	6	12
3000	3000	2480	2480	2715	5000	5000	5000	1785	1850	1855	2060	1480	1480	1480	1715	6	12
2800	2950	2730	2730	2965	5300	5300	5300	2035	2100	2105	2310	1730	1730	1730	1965	4	6
2550	2900	2830	2830	3065	5500	5500	5500	2135	2200	2205	2410	1830	1830	1830	2065	4	6
2350	2800	2930	2930	3165	5700	5700	5700	2235	2300	2305	2510	1930	1930	1930	2165	4	6
2100	2700	3080	3080	3315	6000	6000	6000	2385	2450	2455	2660	2080	2080	2080	2315	4	6
3000	3000	1645	1730	1765	4300	4300	4300	1125	1015	1105	1115	645	645	730	765	4	6
3000	3000	1730	1830	1865	4500	4500	4500	1195	1100	1205	1215	730	730	830	865	4	6
3000	3000	1830	1880	1915	4700	4700	4700	1295	1200	1255	1265	830	830	880	915	4	6
2900	2900	1880	1980	2015	5000	5000	5000	1345	1250	1355	1365	880	880	980	1015	4	6
2800	2850	1980	2080	2115	5300	5300	5300	1445	1350	1455	1465	980	980	1080	1115	4	6
2500	2800	2080	2130	2165	5500	5500	5500	1545	1450	1505	1515	1080	1080	1130	1165	4	6
2300	2750	2130	2230	2265	5700	5700	5700	1595	1500	1605	1615	1130	1130	1230	1265	4	6
2000	2650	2230	2330	2365	6000	6000	6000	1695	1600	1705	1715	1230	1230	1330	1365	4	6
1700	2550	2330	2430	2465	6300	6300	6300	1795	1700	1805	1815	1330	1330	1430	1465	4	6
1500	2400	2430	2480	2515	6500	6500	6500	1895	1800	1855	1865	1430	1430	1480	1515	4	6
1300	2100	2480	2680	2715	6700	6700	6700	1945	1850	2055	2065	1480	1480	1680	1715	1.5	6
1150	1900	2680	2730	2765	7000	7000	7000	2145	2050	2105	2115	1680	1680	1730	1765	1.5	6
950	1750	2730	2830	2865	7300	7300	7300	2195	2100	2205	2215	1730	1730	1830	1865	1.5	6
850	1650	2830	2930	2965	7500	7500	7500	2295	2200	2305	2315	1830	1830	1930	1965	1.5	6

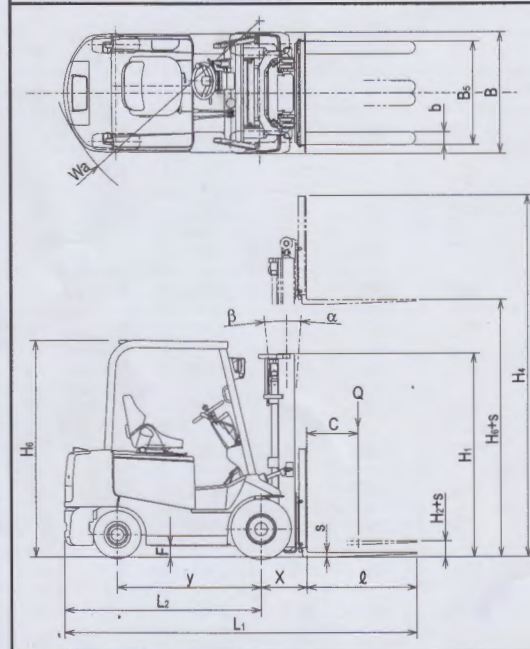
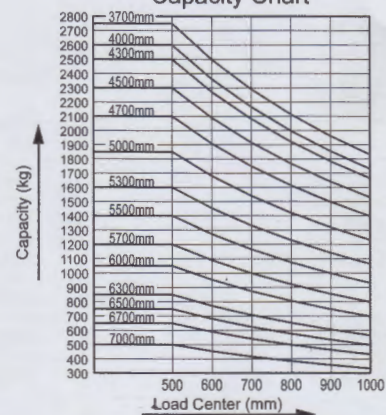


■ FB28P

“With 2-stage mast”
Capacity Chart

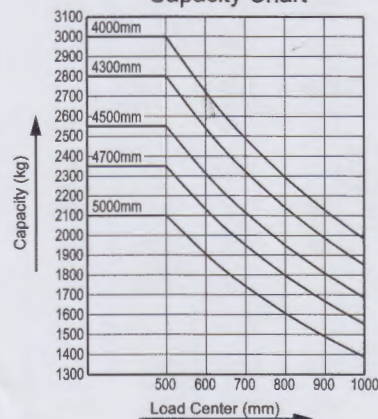


“With 3-stage mast”
Capacity Chart

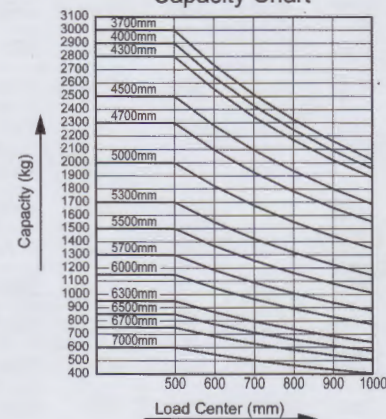


■ FB30P

“With 2-stage mast”
Capacity Chart



“With 3-stage mast”
Capacity Chart



Standard equipment

- Battery discharge indicator
- Hour meter
- Head lights
- Turn-signal lamps
- Power steering
- Electric Horn
- Back-up alarm
- Overhead guard
- Load backrest
- Tilt steering

Batteries (5 hours rating)

- FB10P/14P : STD330AH, OPT400AH, 485AH, 545AH
- FB15P/18P : STD400AH, OPT485AH, 545AH
- FB20P : STD450AH, OPT545AH, 600AH, 650AH, 730AH
- FB25P/28P : STD565AH, OPT600AH, 650AH, 730AH
- FB30P : STD450AH, OPT485AH, 545AH, 600AH

All specifications have been determined according to manufacturer's terms and conditions.
Specifications are subject to change without notice in the interests of product improvement.

NICHIYU
ELECTRIC FORKLIFT

MITSUBISHI NICHIYU FORKLIFT CO., LTD.

1-1, 2-Chome, Higashikotari, Nagaokakyo-shi. Kyoto 617-8585 JAPAN